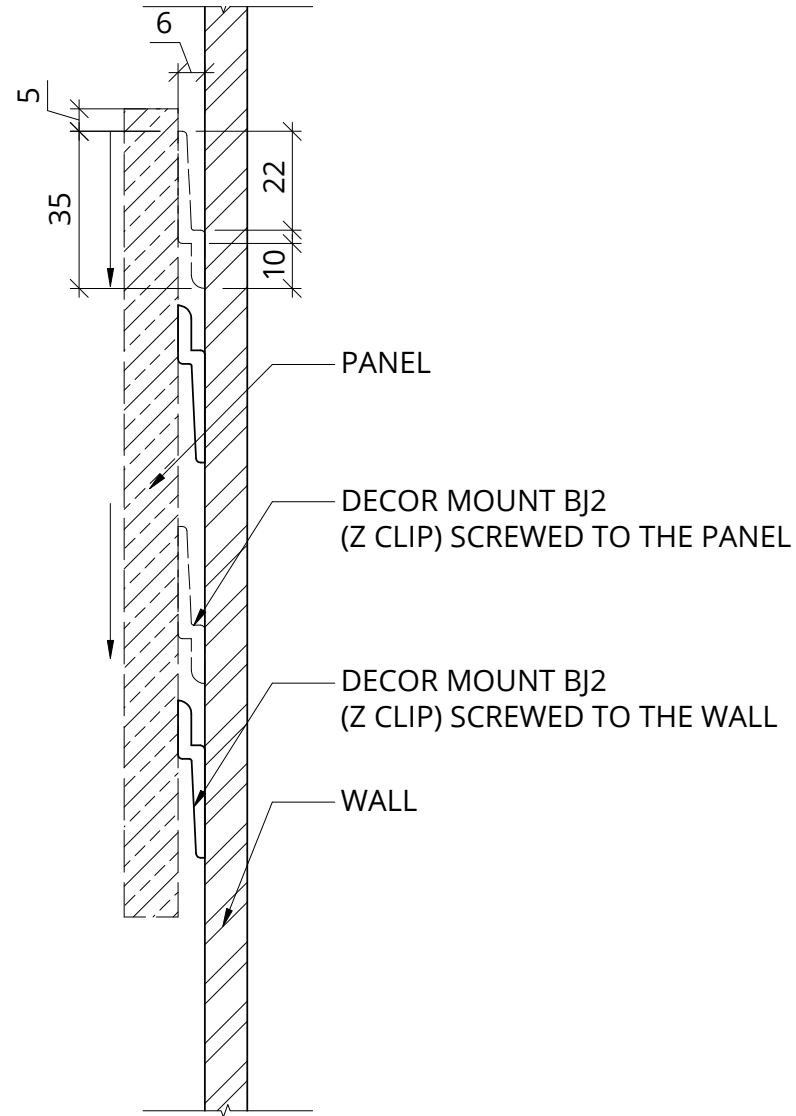


DECOR MOUNT BJ2



PANEL INSTALLATION DETAIL WITH BJ2

* All dimensions are in millimetres.
* Use figured dimensions only.

FILE NAME:	BJ2
DATE:	
SCALE:	NTS
REVISION	
REVISION 2	
SHOP DWG NO:	

SHOP DRAWING APPROVAL:
REMEMBER IT IS YOUR RESPONSIBILITY TO CONFIRM THAT EVERYTHING ON THIS DRAWING IS ACCURATE.

NOTE:
THESE DESIGNS, DRAWINGS AND SPECIFICATIONS AND COPYRIGHT THERE OF, ARE THE PROPERTY OF DECOR SYSTEMS AUSTRALIA, AND MUST NOT BE USED, RETAINED OR COPIED WITH THE WRITTEN AUTHORITY OF DECOR SYSTEMS AUSTRALIA.

PROJECT:	
LOCATION:	
CUSTOMER:	
<input type="checkbox"/> I HAVE CHECKED EVERYTHING ON THIS DRAWING AND APPROVE IT FOR PRODUCTION	
SIGN:	DATE:

