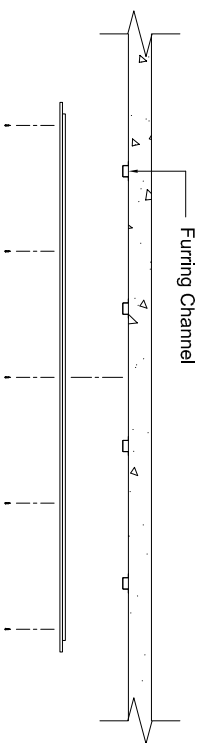
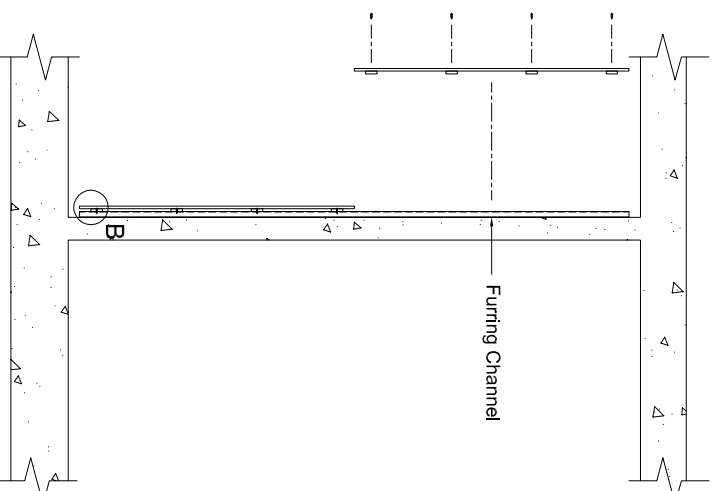
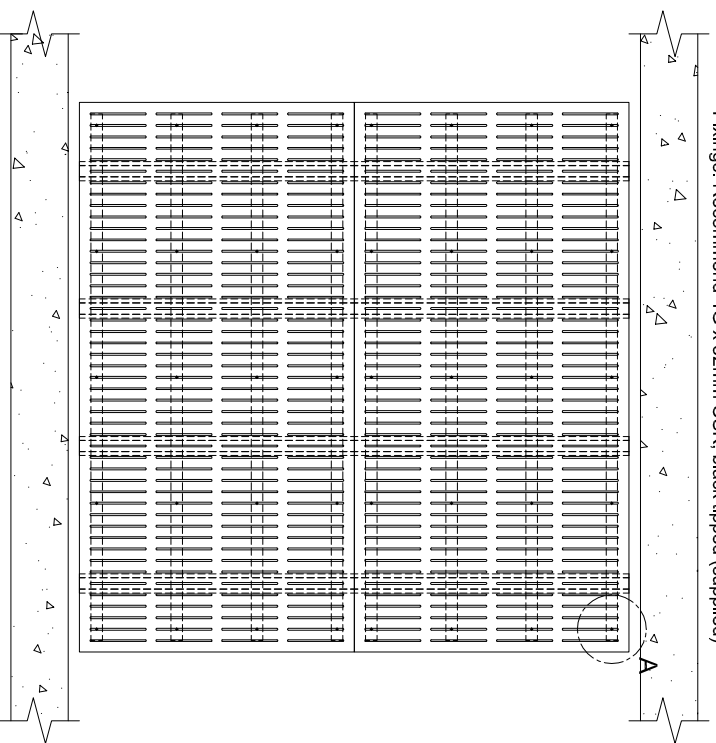


DecorTrend with DSB Fixing Method

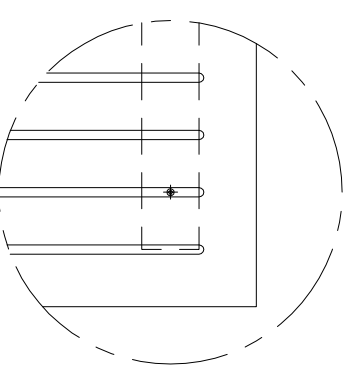
Wall or Ceiling Application



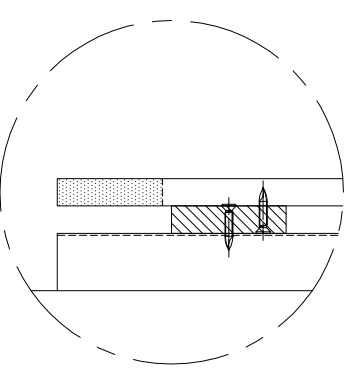
Fixings: Recommend 4G x 32mm CSK, black tipped (supplied)



NOTE: FIXED FROM FRONT
(face fixed)
Use black screws (supplied, secret fix)
NOT suitable for Ø5mm or less



Detail A - 1:5



Detail B - 1:10

Disclaimer:

All specifications shown in these documents are intended as a guide only & should not be considered as conclusive. Fixing types & sizes used to install these products must be considered in conjunction with site conditions.

It is the users responsibility to ensure the use of this document coincides with their own judgment and is appropriate for the application. Decor Systems cannot be held responsible for any consequences arising from the improper use of this manual (whether negligence or otherwise).

THESE DESIGNS, DRAWINGS & SPECIFICATIONS & COPYRIGHT THEREOF ARE THE PROPERTY OF DECOR SYSTEMS AUSTRALIA & MUST NOT BE USED, RETAINED OR COPIED WITHOUT THE WRITTEN AUTHORITY OF DECOR SYSTEMS AUSTRALIA.

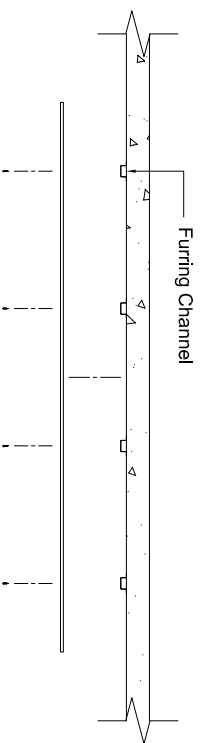


Installation Guide

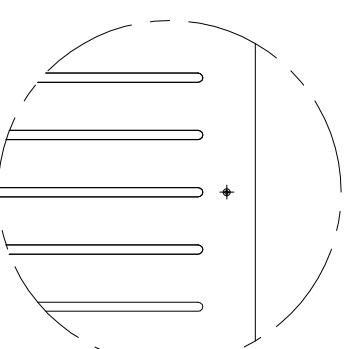
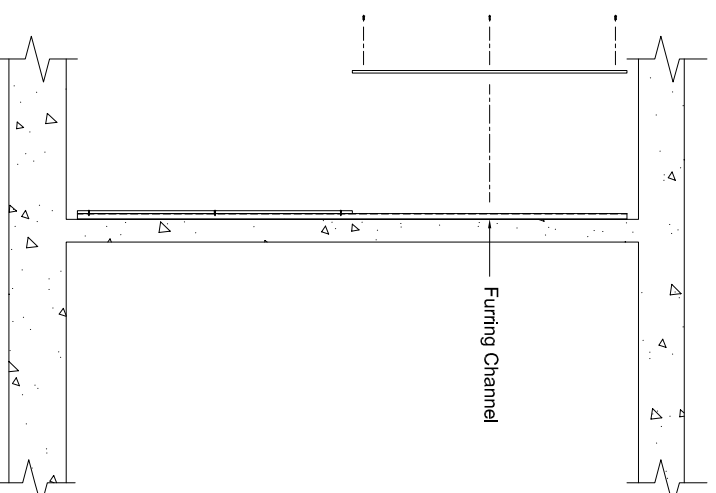
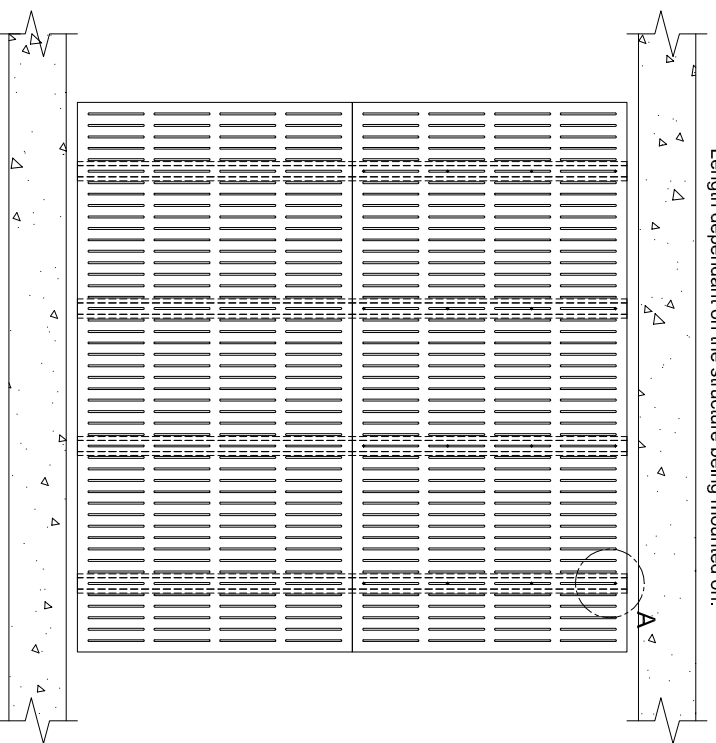
1. Set out the timber studs or steel sections to suit the size of the panels. Recommendation of 400mm centres.
2. Locate & position timber panels, fixing through the perforation of the panel, through the DSB & into your framework [Detail A & B].
3. Continue with the remainder of the panels until whole wall or ceiling area is clad.

DecorTrend with Face Access Fixing Method

Wall or Ceiling Application



Fixings: Recommend 6G x 32mm CSK, colour matched (NOT supplied).
Length dependant on the structure being mounted on.



Detail A - 1:5

NOTE: FIXED FROM FRONT

Installation Guide

1. Set out the timber studs or steel sections to suit the size of the panels. Recommendation of 400mm centres.
2. Locate & position timber panels, fixing through the face of the panel (on an angle if required) into your framework [Detail A & B].
3. Continue with the remainder of the panels until whole wall or ceiling area is clad.

Disclaimer:
All specifications shown in these documents are intended as a guide only & should not be considered as conclusive. Fixing types & sizes used to install these products must be considered in conjunction with site conditions.

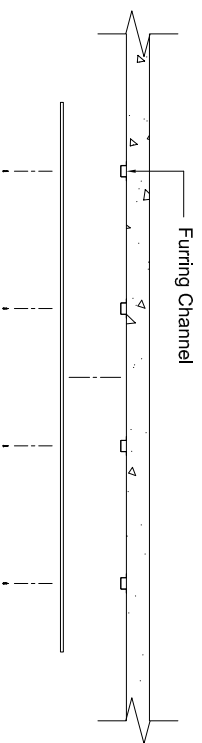
It is the users responsibility to ensure the use of this document coincides with their own judgment and is appropriate for the application. Decor Systems cannot be held responsible for any consequences arising from the improper use of this manual (whether negligence or otherwise).

THESE DESIGNS, DRAWINGS & SPECIFICATIONS & COPYRIGHT THEREOF ARE THE PROPERTY OF DECOR SYSTEMS AUSTRALIA & MUST NOT BE USED, RETAINED OR COPIED WITHOUT THE WRITTEN AUTHORITY OF DECOR SYSTEMS AUSTRALIA.

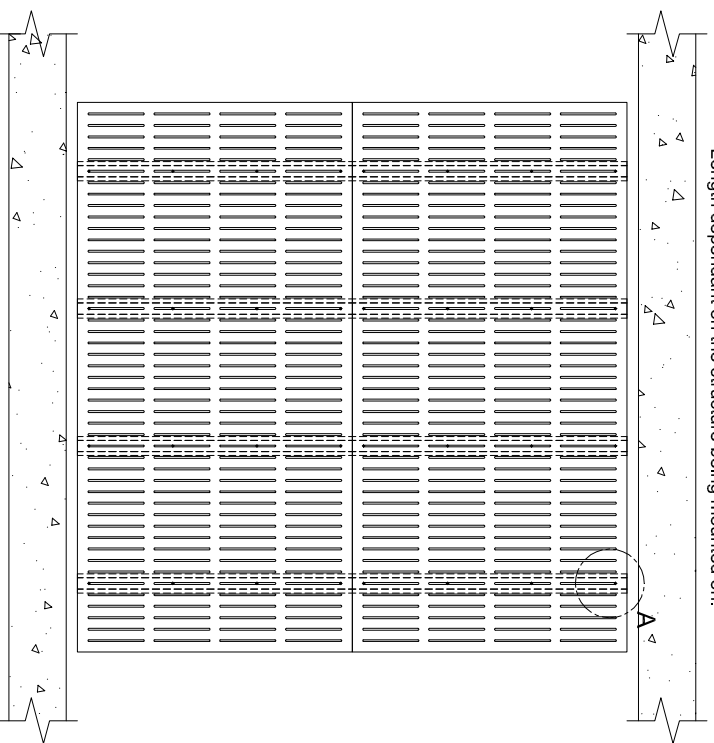


DecorTrend with Stek Tek Fixing Method

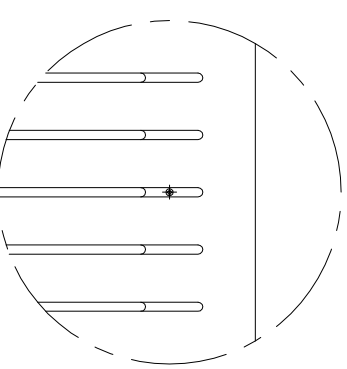
Wall or Ceiling Application



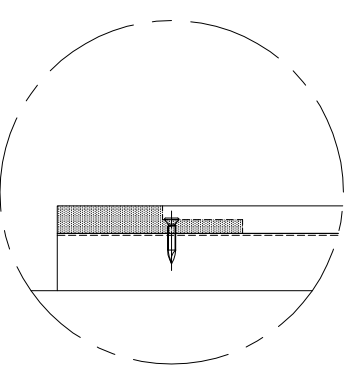
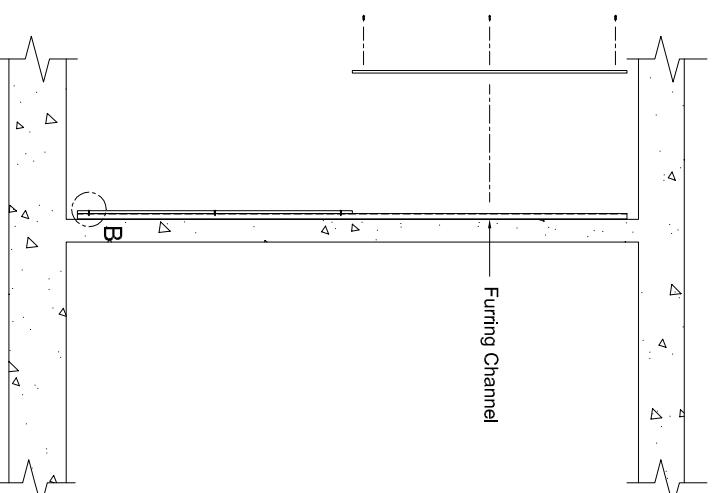
Fixings: Recommend 4G x 32mm CSK, black tipped (NOT supplied).
Length dependant on the structure being mounted on.



NOTE: FIXED FROM FRONT
(semi-secret fixed)
NOT suitable for Ø5mm or less



Detail A - 1:5



Detail B - 1:10

Disclaimer:

All specifications shown in these documents are intended as a guide only & should not be considered as conclusive. Fixing types & sizes used to install these products must be considered in conjunction with site conditions.

It is the users responsibility to ensure the use of this document coincides with their own judgment and is appropriate for the application. Decor Systems cannot be held responsible for any consequences arising from the improper use of this manual (whether negligence or otherwise).

THESE DESIGNS, DRAWINGS & SPECIFICATIONS & COPYRIGHT THEREOF ARE THE PROPERTY OF DECOR SYSTEMS AUSTRALIA & MUST NOT BE USED, RETAINED OR COPIED WITHOUT THE WRITTEN AUTHORITY OF DECOR SYSTEMS AUSTRALIA.

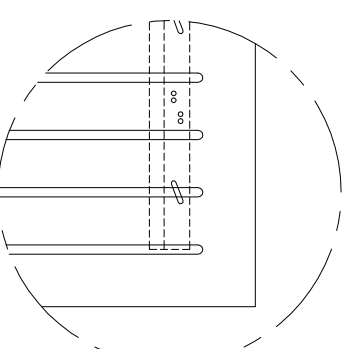
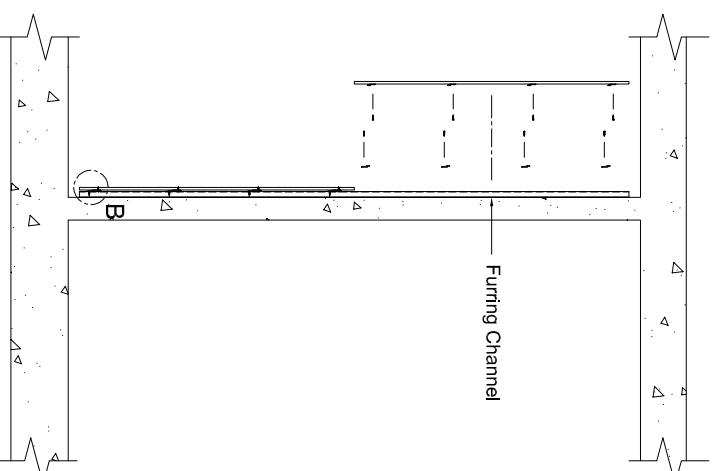
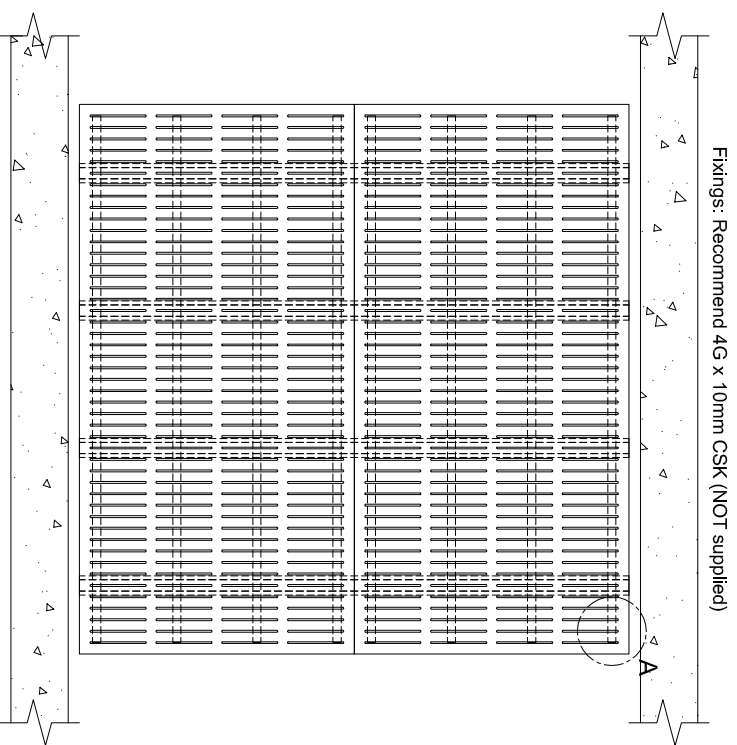
Installation Guide

1. Set out the timber studs or steel sections to suit the size of the panels. Recommendation of 400mm centres.
2. Locate & position timber panels, fixing through the rebated perforation of the panel into your framework [Detail A & B].
3. Continue with the remainder of the panels until whole wall or ceiling area is clad.

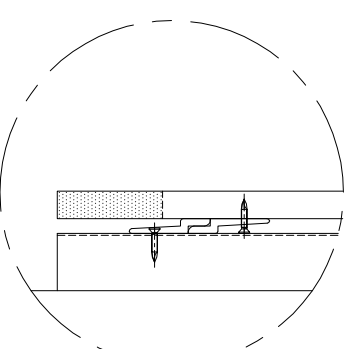
DecorTrend with BJ2 Fixing Method

Wall Application Only

NOTE: FIXED FROM REAR
(secret fixed)



Detail A - 1:5



Detail B - 1:10

Installation Guide

1. Set out the timber studs or steel sections to suit the size of the panels. Recommendation of 400mm centres.
2. Fix one length of BJ2 to your framework with the short lip facing up [Detail B]. Recommendation of 600mm centres (or less).
3. Fix the other length of BJ2 to the rear of the panels, with the short lip facing down [Detail B]. Ensure that the same centre configuration as the structure mounted BJ2 is used.
4. Locate & position timber panels with structure mounted BJ2. Lift and drop or slide into place.
5. Continue with the remainder of the panels until whole wall area is clad.

Disclaimer:
All specifications shown in these documents are intended as a guide only & should not be considered as conclusive. Fixing types & sizes used to install these products must be considered in conjunction with site conditions.

It is the users responsibility to ensure the use of this document coincides with their own judgment and is appropriate for the application. Decor Systems cannot be held responsible for any consequences arising from the improper use of this manual (whether negligence or otherwise).

THESE DESIGNS, DRAWINGS & SPECIFICATIONS & COPYRIGHT THEREOF ARE THE PROPERTY OF DECOR SYSTEMS AUSTRALIA & MUST NOT BE USED, RETAINED OR COPIED WITHOUT THE WRITTEN AUTHORITY OF DECOR SYSTEMS AUSTRALIA.

