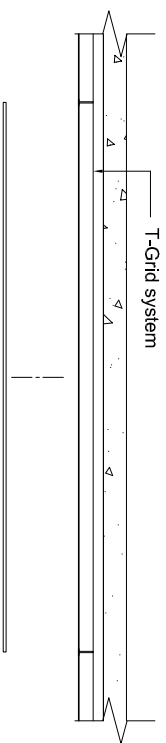
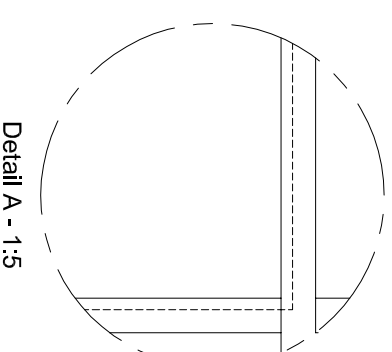
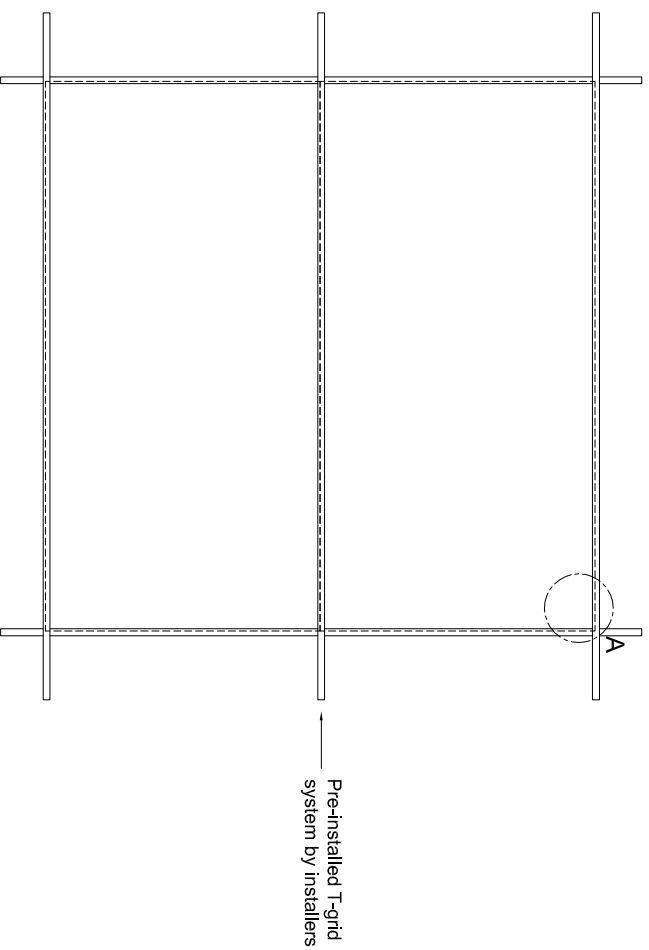


# DecorTile with Drop-In Grid Method

## Ceiling Application Only



Fixings: Not required.



1. Locate & position panels, lifting up in to grid system on an angle & dropping in in to grid T bars.
2. All edges must be sitting within T bar grid [Detail A].
3. Continue with the remainder of the panels until whole ceiling area is clad.

### Installation Guide

#### Disclaimer:

All specifications shown in these documents are intended as a guide only & should not be considered as conclusive. Fixing types & sizes used to install these products must be considered in conjunction with site conditions.

It is the users responsibility to ensure the use of this document coincides with their own judgment and is appropriate for the application. Decor Systems cannot be held responsible for any consequences arising from the improper use of this manual (whether negligence or otherwise).

THESE DESIGNS, DRAWINGS & SPECIFICATIONS & COPYRIGHT THEREOF ARE THE PROPERTY OF DECOR SYSTEMS AUSTRALIA & MUST NOT BE USED, RETAINED OR COPIED WITHOUT THE WRITTEN AUTHORITY OF DECOR SYSTEMS AUSTRALIA.

