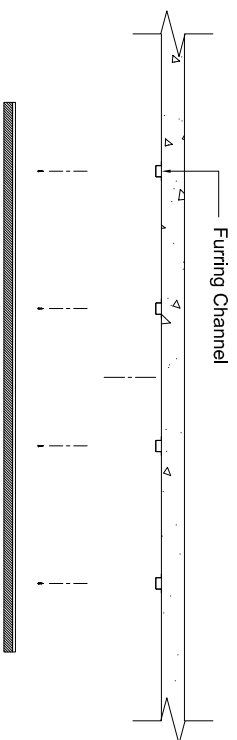
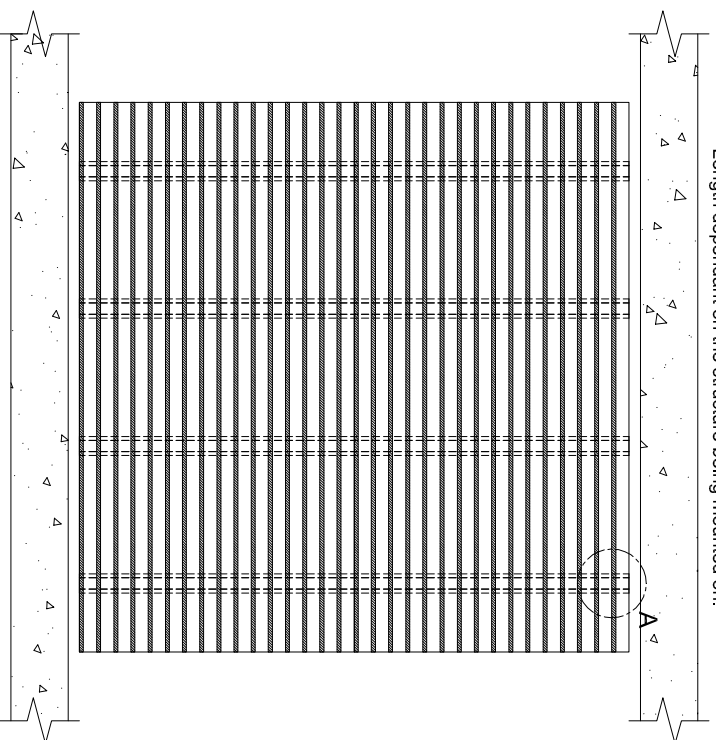


DecorSlat with Face Access Fixing Method

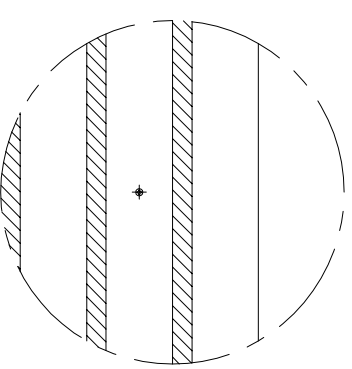
Wall or Ceiling Application



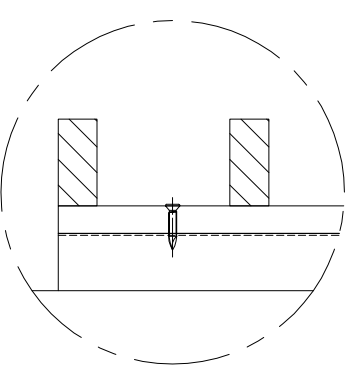
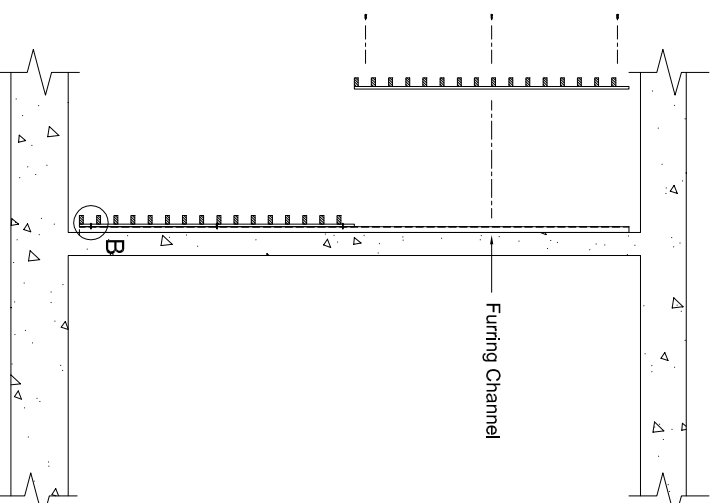
Fixings: Recommend 6G x 32mm CSK, black tipped (NOT supplied).
Length dependant on the structure being mounted on.



NOTE: FIXED FROM FRONT
(face fixed)
Use black screws (not supplied, secret fix)



Detail A - 1:5



Detail B - 1:10

Disclaimer:

All specifications shown in these documents are intended as a guide only & should not be considered as conclusive. Fixing types & sizes used to install these products must be considered in conjunction with site conditions.

It is the users responsibility to ensure the use of this document coincides with their own judgment and is appropriate for the application. Decor Systems cannot be held responsible for any consequences arising from the improper use of this manual (whether negligence or otherwise).

THESE DESIGNS, DRAWINGS & SPECIFICATIONS & COPYRIGHT THEREOF ARE THE PROPERTY OF DECOR SYSTEMS AUSTRALIA & MUST NOT BE USED, RETAINED OR COPIED WITHOUT THE WRITTEN AUTHORITY OF DECOR SYSTEMS AUSTRALIA.

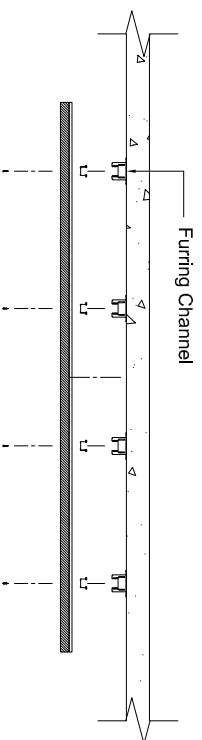


Installation Guide

1. Set out the timber studs or steel sections to suit the size of the panels. Recommendation of 400mm centres.
2. Locate & position timber panels, fixing through the face of the panel (on an angle if required) into your framework [Detail A & B].
3. Continue with the remainder of the panels until whole wall or ceiling area is clad.

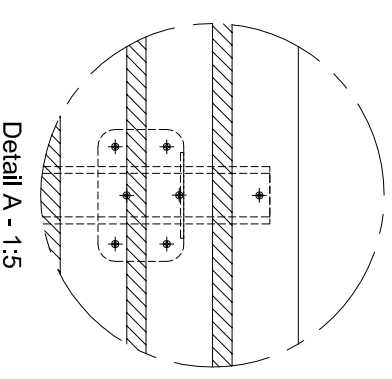
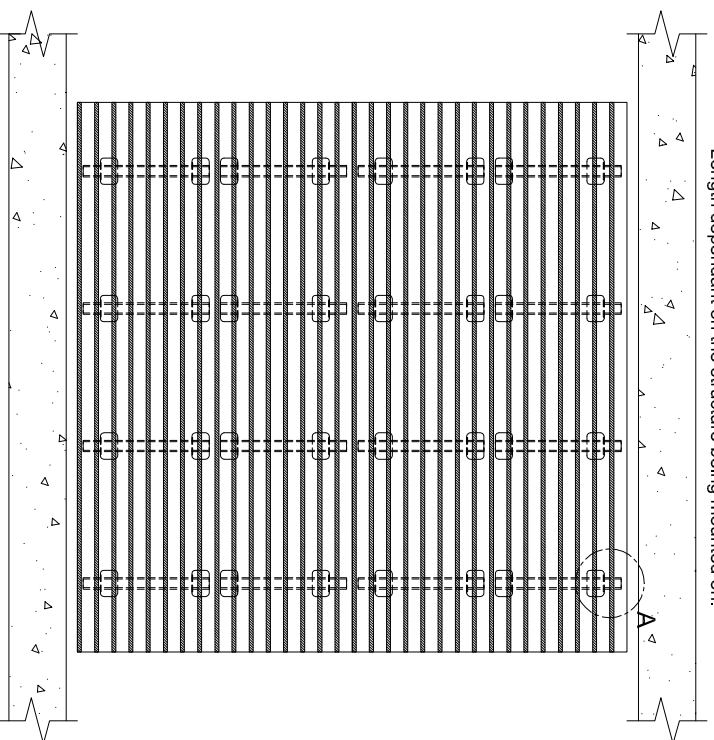
DecorSlat with Rondo Furring Channel Fixing Method

Ceiling Application Only



NOTE: FIXED FROM FRONT

Fixings: Recommend referring to Rondo fixing kits.
Length dependant on the structure being mounted on.



Detail A - 1:5

Installation Guide

1. Set out the Rondo locating brackets to suit the size of the panels. Recommendation of 400mm centres.
2. Fix the Rondo furring channel to the rear of the panels [Detail A]. Ensure that the same centre configuration as the structure mounted Rondo brackets is used.
3. Locate & position panels with structure mounted Rondo brackets. Push panel into position until the furring channels locate the teeth of the locating brackets.
4. Continue with the remainder of the panels until whole ceiling area is clad.

Disclaimer:
All specifications shown in these documents are intended as a guide only & should not be considered as conclusive. Fixing types & sizes used to install these products must be considered in conjunction with site conditions.

It is the users responsibility to ensure the use of this document coincides with their own judgment and is appropriate for the application. Decor Systems cannot be held responsible for any consequences arising from the improper use of this manual (whether negligence or otherwise).

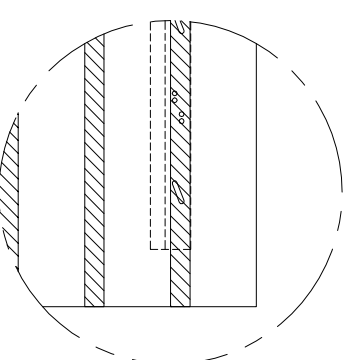
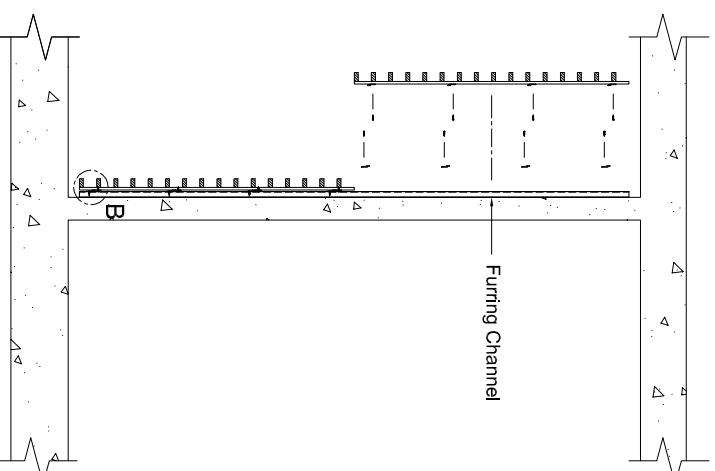
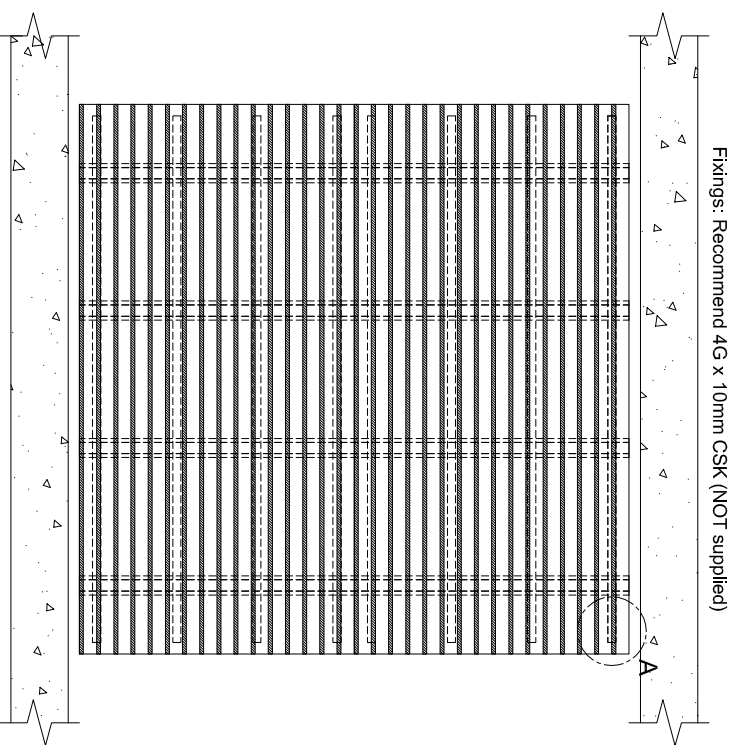
THESE DESIGNS, DRAWINGS & SPECIFICATIONS & COPYRIGHT THEREOF ARE THE PROPERTY OF DECOR SYSTEMS AUSTRALIA & MUST NOT BE USED, RETAINED OR COPIED WITHOUT THE WRITTEN AUTHORITY OF DECOR SYSTEMS AUSTRALIA.



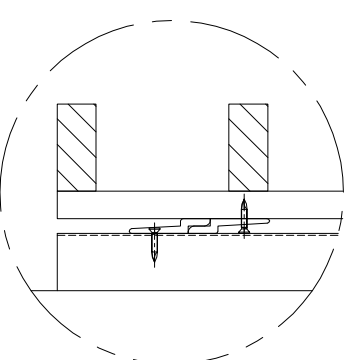
DecorSlat with BJ2 Fixing Method

Wall Application Only

NOTE: FIXED FROM REAR
(secret fixed)



Detail A - 1:5



Detail B - 1:10

Disclaimer:

All specifications shown in these documents are intended as a guide only & should not be considered as conclusive. Fixing types & sizes used to install these products must be considered in conjunction with site conditions.

It is the users responsibility to ensure the use of this document coincides with their own judgment and is appropriate for the application. Decor Systems cannot be held responsible for any consequences arising from the improper use of this manual (whether negligence or otherwise).

Installation Guide

1. Set out the timber studs or steel sections to suit the size of the panels. Recommendation of 400mm centres.
2. Fix one length of BJ2 to your framework with the short lip facing up [Detail B]. Recommendation of 600mm centres (or less).
3. Fix the other length of BJ2 to the rear of the panels, with the short lip facing down [Detail B]. Ensure that the same centre configuration as the structure mounted BJ2 is used.
4. Locate & position timber panels with structure mounted BJ2. Lift and drop or slide into place.
5. Continue with the remainder of the panels until whole wall area is clad.

THESE DESIGNS, DRAWINGS & SPECIFICATIONS & COPYRIGHT THEREOF ARE THE PROPERTY OF DECOR SYSTEMS AUSTRALIA & MUST NOT BE USED, RETAINED OR COPIED WITHOUT THE WRITTEN AUTHORITY OF DECOR SYSTEMS AUSTRALIA.

