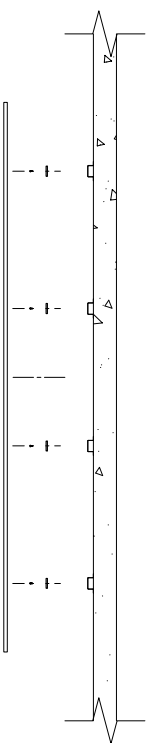


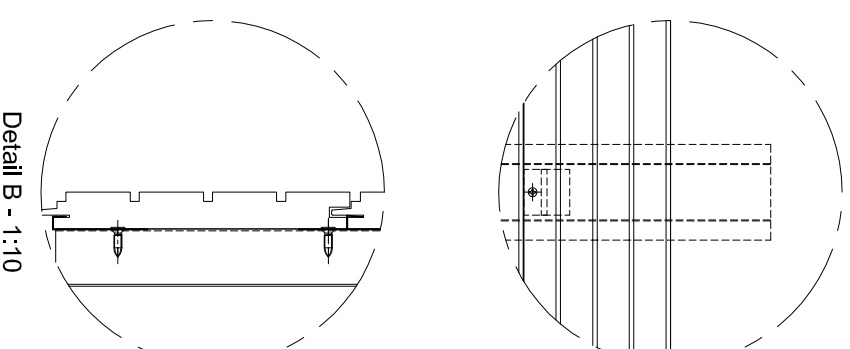
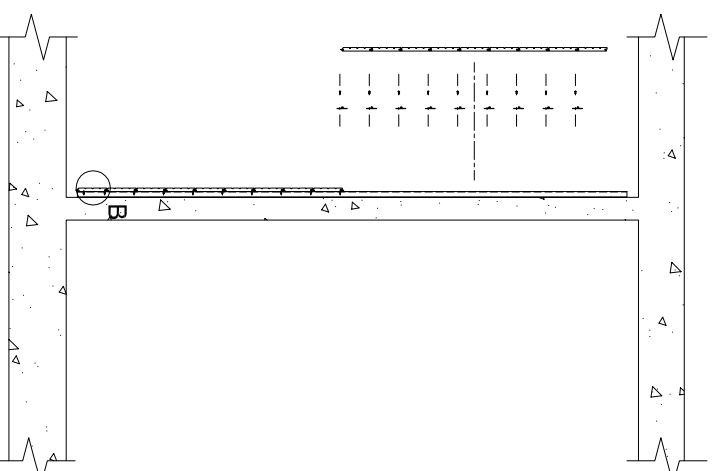
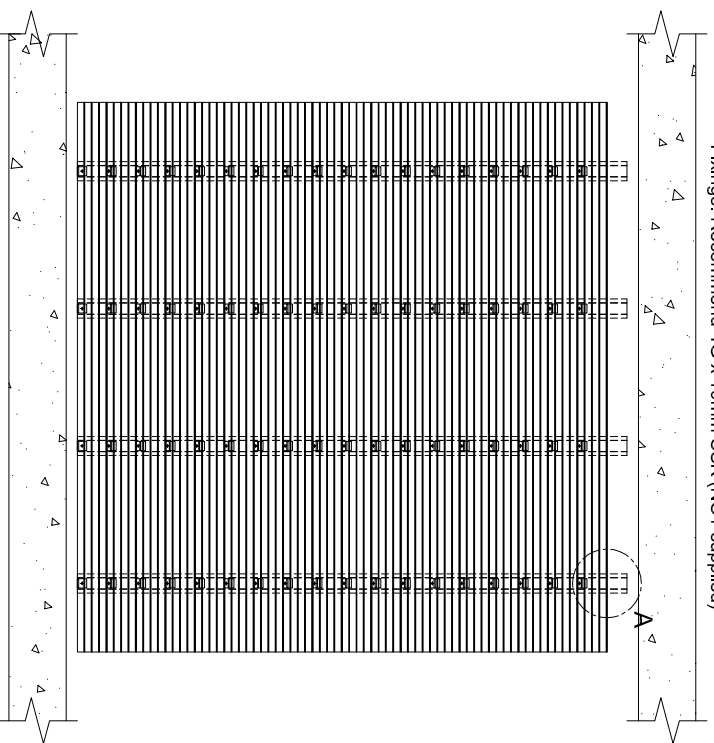
DecorMilano with Clips

Wall or Ceiling Application



NOTE: FIXED FROM REAR
(secret fix, clips supplied)

Fixings: Recommend 4G x 10mm CSK (NOT supplied)



Detail B - 1:10

Disclaimer:

All specifications shown in these documents are intended as a guide only & should not be considered as conclusive. Fixing types & sizes used to install these products must be considered in conjunction with site conditions.

It is the users responsibility to ensure the use of this document coincides with their own judgment and is appropriate for the application. Decor Systems cannot be held responsible for any consequences arising from the improper use of this manual (whether negligence or otherwise).

THESE DESIGNS, DRAWINGS & SPECIFICATIONS & COPYRIGHT THEREOF ARE THE PROPERTY OF DECOR SYSTEMS AUSTRALIA & MUST NOT BE USED, RETAINED OR COPIED WITHOUT THE WRITTEN AUTHORITY OF DECOR SYSTEMS AUSTRALIA.



Installation Guide

1. Set out the timber studs or steel sections to suit the size of the panels. Recommendation of 400mm centres.
2. Position & fix the starter clips ("L" shape) to the framework, starting from the bottom of the wall or beginning end of ceiling area.
3. Locate & position the first plank with the tongue end dropping into the starter clip set out.
4. Position & fix the intermediate clips to the framework, starting from the top of the previous plank laid out.
5. Locate & position the next plank with the tongue end dropping into the intermediate clip set out.
6. Continue with the remainder of the planks until whole ceiling or wall area is clad.